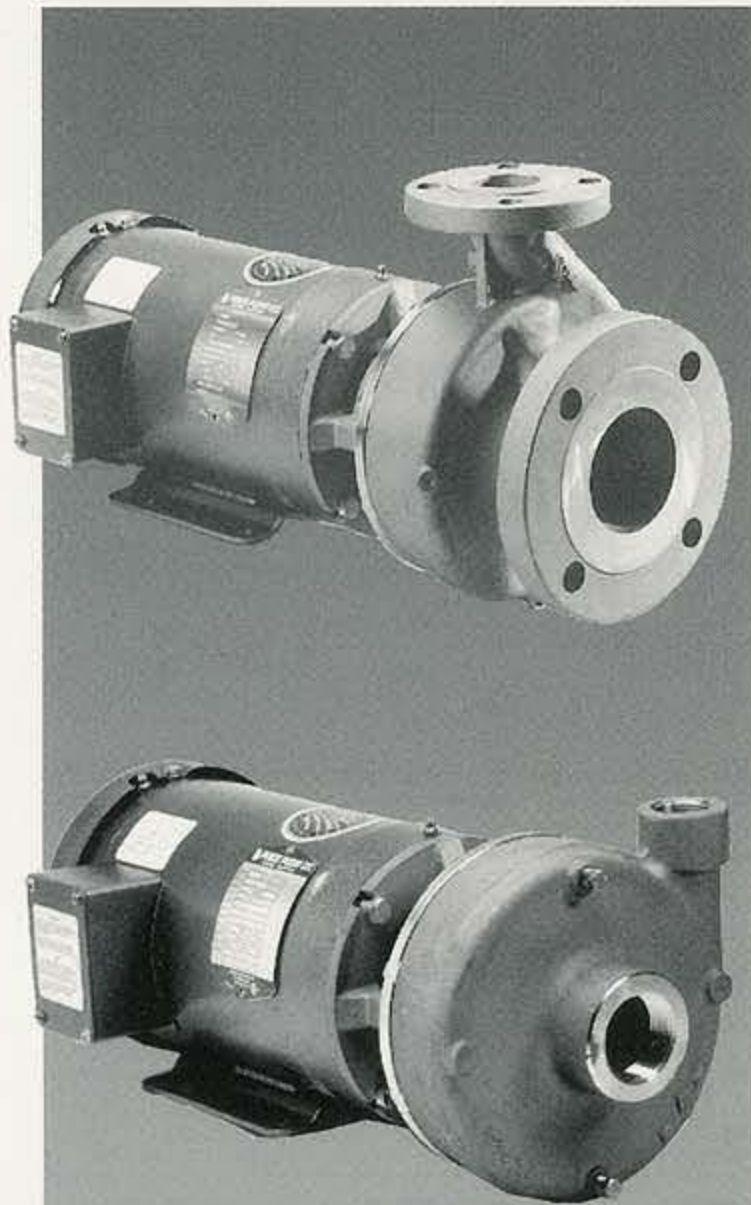


Flow to 500 GPM
Head to 300 ft.



Type X

CENTRIFUGAL MOTOR PUMPS

Flows to 500 GPM
Heads to 300 ft.

MATERIALS OF CONSTRUCTION

- XJ - Flanged (Centerline)**
Stainless Steel (316)
- XL - Flanged (Centerline)**
Stainless Steel (316)
- XT - Threaded (Tangential)**
Stainless Steel (316)
Cast Iron
Bronze

APPLICATIONS

- **INDUSTRY**—Chemical process, deionized water, water and wastewater treatment, hot solvents, caustics
- **O.E.M.**—Washers, filters, chillers, cooling towers, scrubbers, plating equipment
- **AGRICULTURE**—Acid fertilizers and other agricultural chemicals

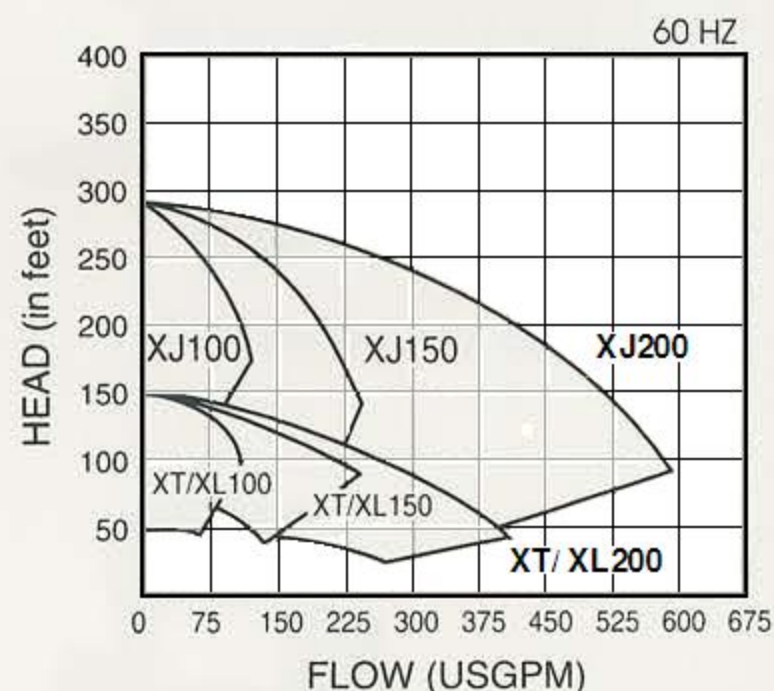
SIZES

Discharge x Suction x Max Imp.

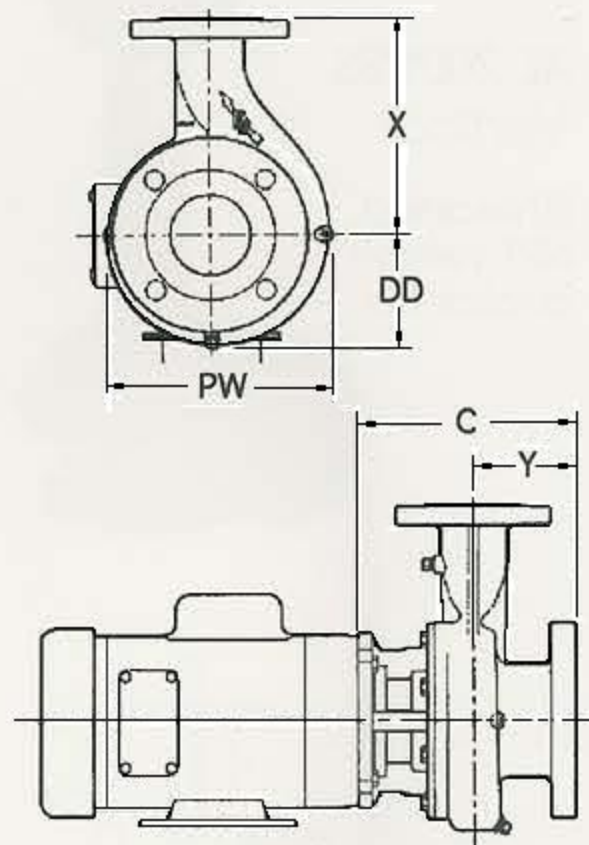
- XJ100** - 1" x 1 1/2" x 8"
- XJ150** - 1 1/2" x 3" x 8"
- XJ200** - 2" x 3" x 8"
- XL100** - 1" x 1 1/2" x 6"
- XL150** - 1 1/2" x 3" x 6"
- XL200** - 2" x 3" x 6"
- XT100** - 1" x 1 1/2" x 6"
- XT150** - 1 1/2" x 2" x 6"
- XT200** - 2" x 3" x 6"

STANDARD FEATURES

- 150 lb. centerline ANSI dimensioned flanges & threaded NPT connections available
- Close coupled through 40 hp
- Standard NEMA JM motors
- ODP, TEFC, XP motors
- Back pull-out design
- Wide range of seal options, Type 21 Viton® standard
- Seal flush, seal quench available
- Replaceable shaft sleeve



Curve for reference only. See engineering curves for final selection.



PUMP END DIMENSIONS

MODEL	C	DD	PW	X	Y
XL100	8 1/4 210 mm	4 1/16 103 mm	8" 203 mm	6 1/2 165 mm	4" 102 mm
XL150	8 1/2 210 mm	4 3/8 111 mm	8 3/8 213 mm	6 1/2 165 mm	4" 102 mm
XL200	8 1/2 216 mm	4 3/8 111 mm	8 3/4 222 mm	8 1/4 210 mm	4" 102 mm
XJ100	8 9/16 217 mm	5" 127 mm	10 3/16 259 mm	6 1/2 165 mm	4" 102 mm
XJ150	8 5/8 219 mm	5 1/16 129 mm	10 1/16 256 mm	6 1/2 165 mm	4" 102 mm
XJ 200	8 5/8 219 mm	5 7/16 138 mm	10 13/16 275 mm	9 1/2 241 mm	4" 102 mm

PRICE PUMP CO.

21775 Eighth St. East

Sonoma, CA 95476

(707) 938-8441

FAX: (707) 938-0764

www.pricepump.com

email: sales@pricepump.com

High Flow to 500 GPM
High Head to 300 ft.

Also Available:



XJ 200PSS
Frame Mounted



XL 200VSS
Vertical

(Threaded
NPT version
available)

Type X



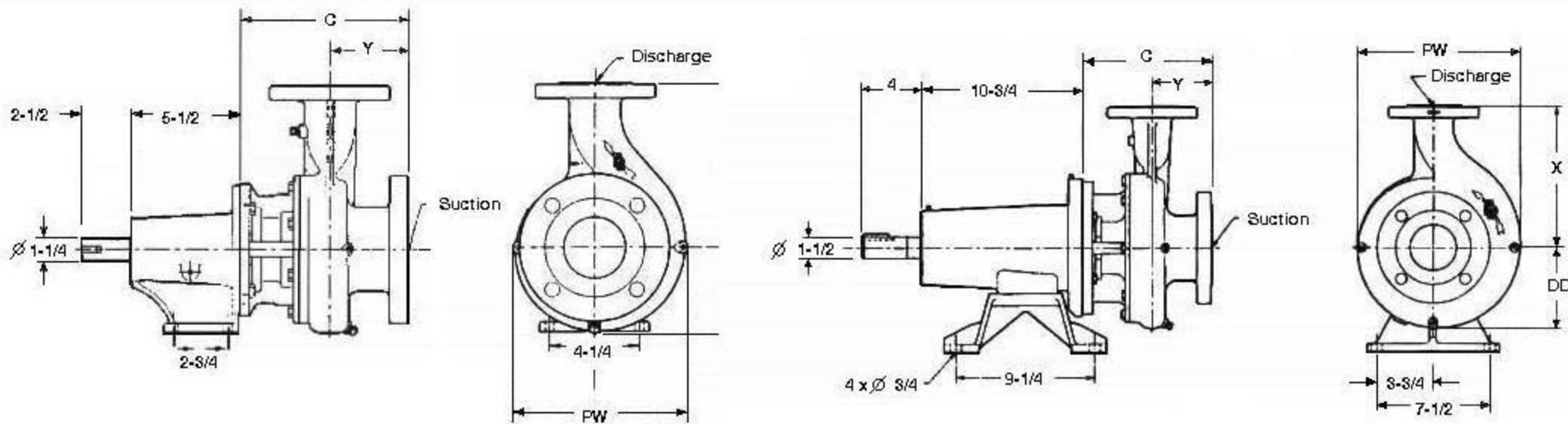
TECHNICAL INFORMATION

CATEGORY	XJ100	XJ150	XJ200
Min. Recommended Flow/GPM	20	40	90
Max. Solid Size	.12"	.25"	.44"
CATEGORY	XT/XL100	XT/XL150	XT/XL200
Min. Recommended Flow/GPM	10	35	50
Max. Solid Size	.12"	.19"	.25"
For All Type X Pumps			
Max. Working Pressure*	200 PSIG		
Max. Temperature*	300°F		

*With Standard Seal and Gasket—Temperature limit will also vary according to liquid pumped. Contact Factory for higher Pressure/Temperature options.

MATERIALS OF CONSTRUCTION

PART	XLSS/XJSS	XTAI	XTBF	XTAB
Volute	316 SS	Grey C.I.	Grey C.I.	Bronze
Impeller	316 SS	Grey C.I.	Bronze	Bronze
Bracket	316 SS	Grey C.I.	Grey C.I.	Bronze
Shaft Sleeve	316 SS	316 SS	Bronze	Bronze
Fasteners	316 SS	Plated Steel	Plated Steel	18-8 SS
Gasket	Viton®	Syn. Fiber	Syn. Fiber	Syn. Fiber



PUMP END DIMENSIONS

MODEL	C	DD	PW	X	Y
XL100	8 1/4 210 mm	4 1/16 103 mm	7 1/2 190 mm	6 1/2 165 mm	4" 102 mm
XL150	8 1/4 210 mm	4 3/8 111 mm	8 3/8 213 mm	6 1/2 165 mm	4" 102 mm
XL200	8 1/2 216 mm	4 3/8 111 mm	8 3/4 222 mm	8 1/4 210 mm	4" 102 mm

PUMP END DIMENSIONS

MODEL	C	DD	PW	X	Y
XJ100	8 9/16 217 mm	5" 127 mm	10 3/16 259 mm	6 1/2 165 mm	4" 102 mm
XJ150	8 5/8 219 mm	5 1/16 129 mm	10 1/16 256 mm	6 1/2 165 mm	4" 102 mm
XJ200	8 5/8 219 mm	5 7/16 138 mm	10 13/16 275 mm	9 1/2 241 mm	4" 102 mm